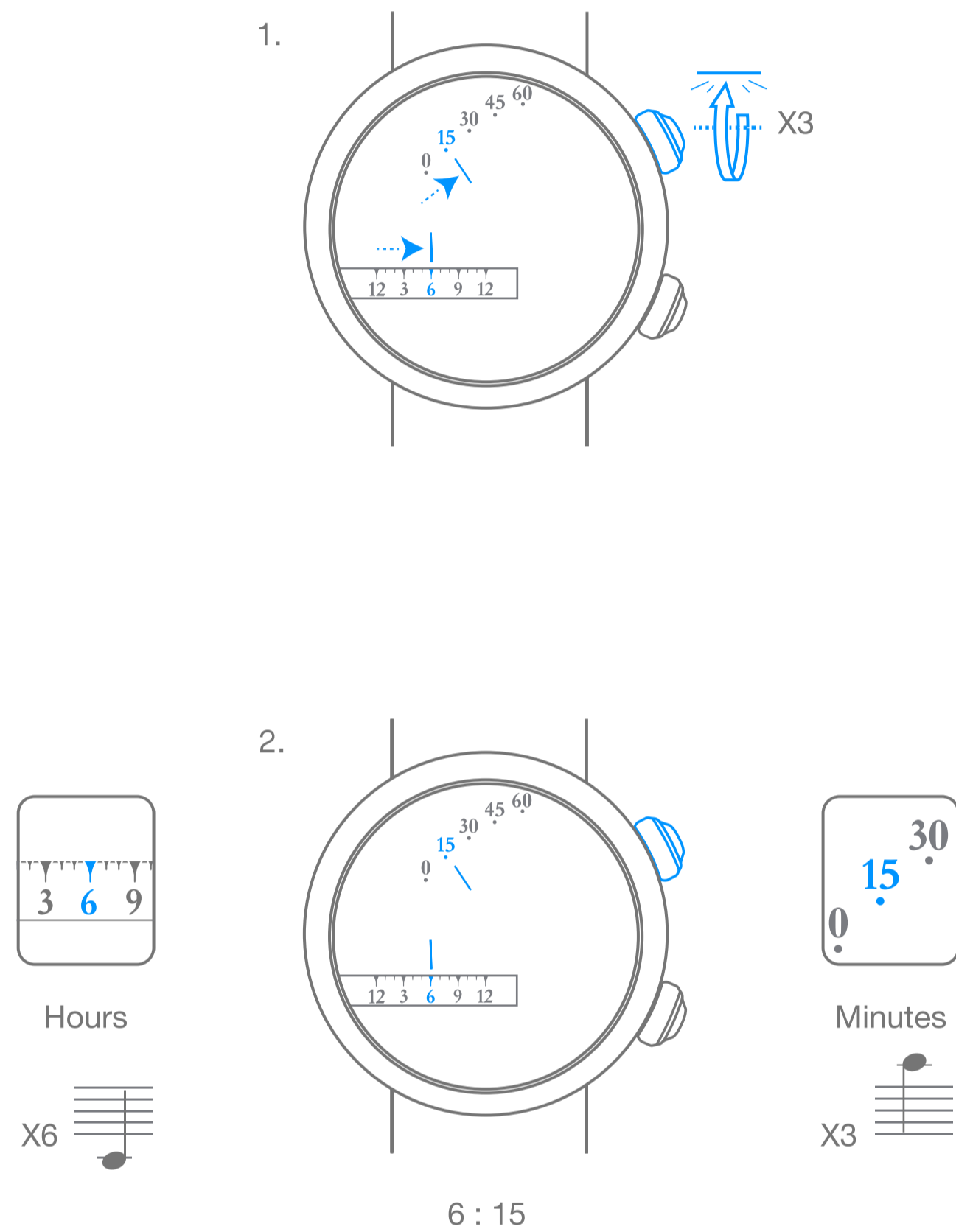


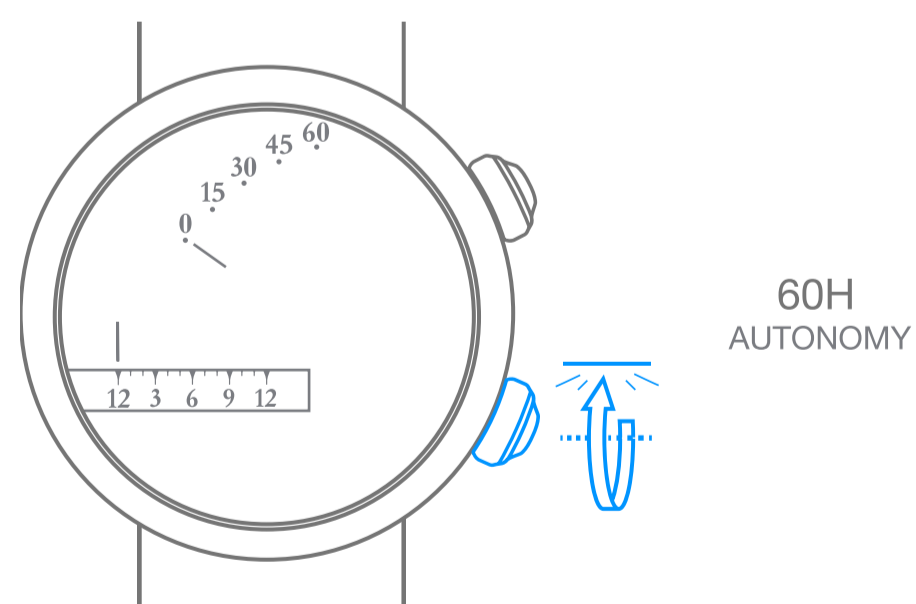
Van Cleef & Arpels

Manual-winding hour on demand, automaton, 5-minute repeater mechanical movement

1. Read the time



2. Wind the watch



Van Cleef & Arpels

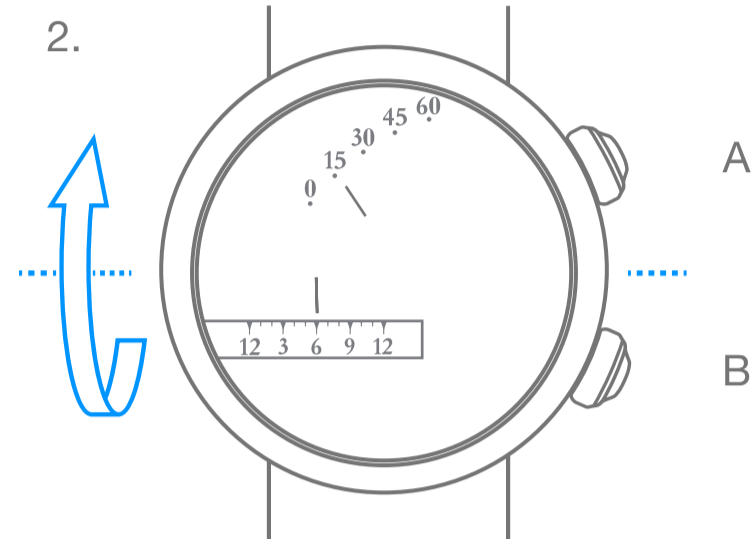
Manual-winding hour on demand,
automaton, 5-minute repeater mechanical movement

3. Set the time

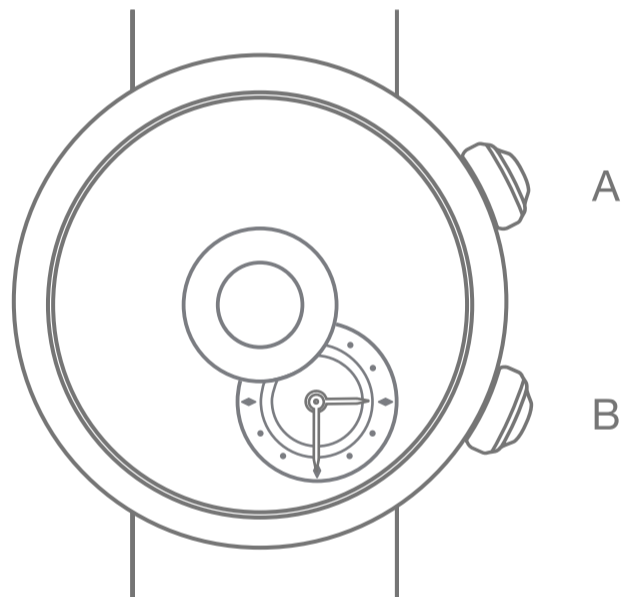
1.



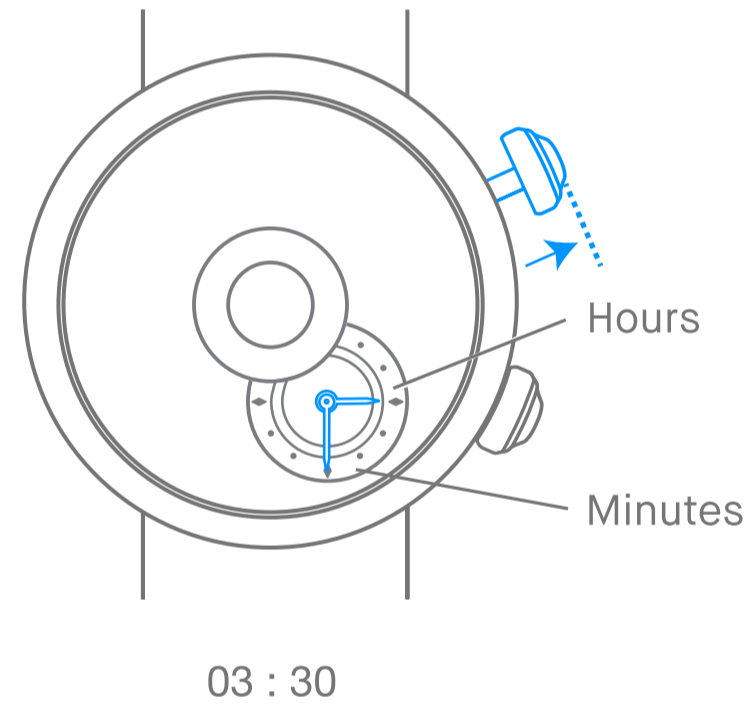
2.



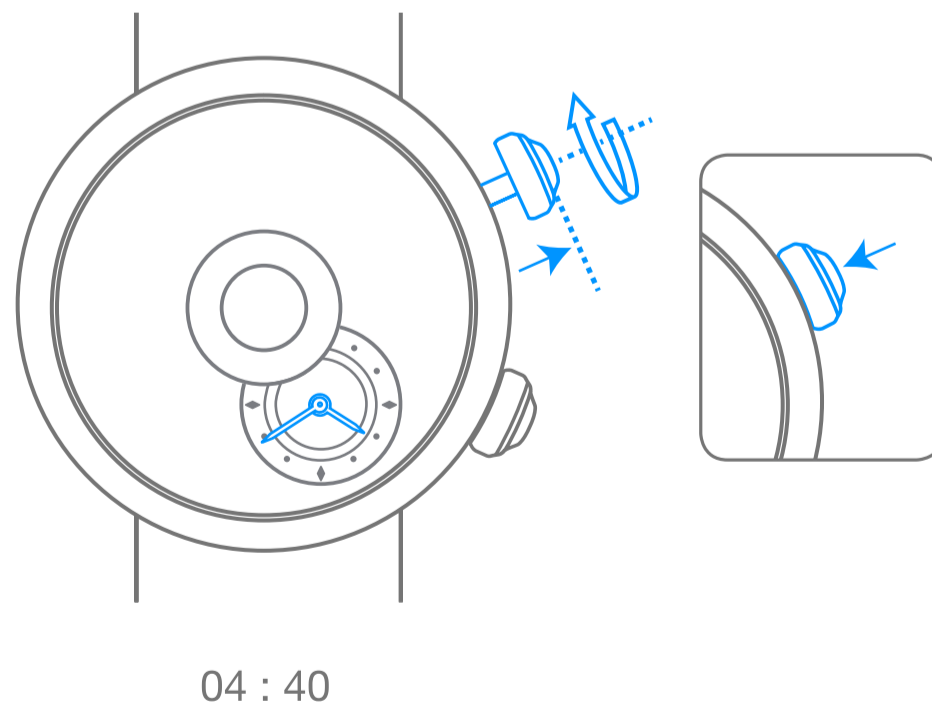
3.



4.



5.



Van Cleef & Arpels

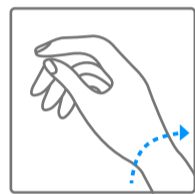
Pictograms

00h
AUTONOMY

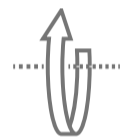
Your watch's power reserve



Important note: wait 30 seconds after winding the watch before setting the time



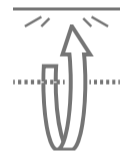
Self-winding through your wrist movement



Turning clockwise



Turning counter-clockwise



Turning clockwise until you meet resistance



Turning counter-clockwise until you meet resistance



LOCAL TIME

Local time



2nd TIME ZONE

Time in selected country



High-pitched sound



Low-pitched sound