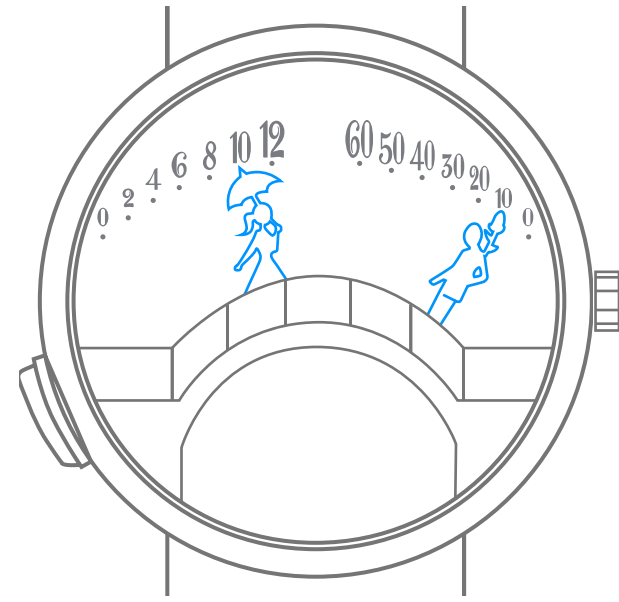


Van Cleef & Arpels

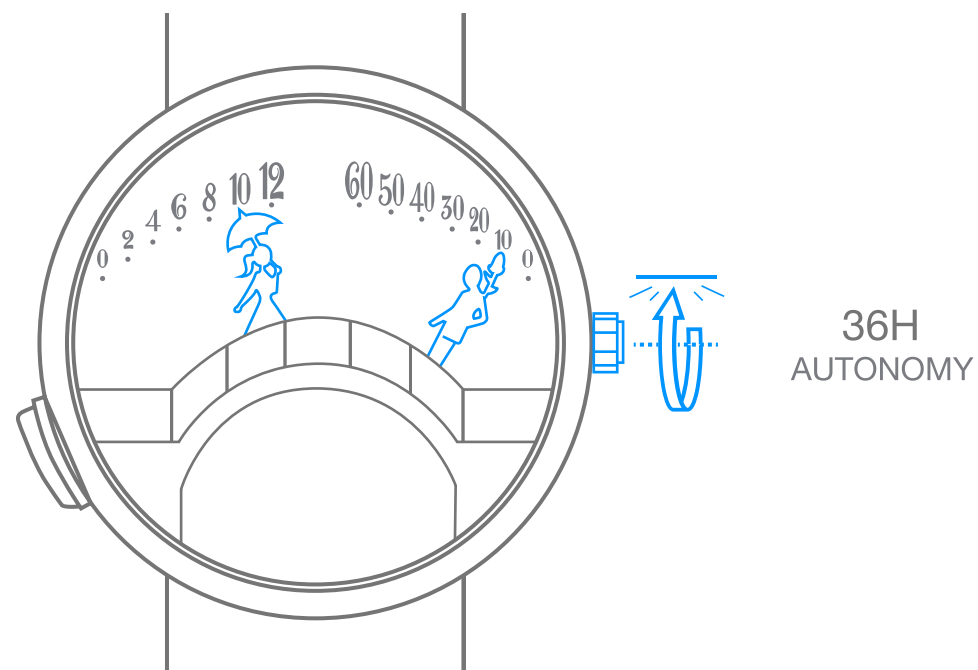
Self-winding double retrograde, animation on demand mechanical movement

I. Read the time



10 : 10

2. Wind the watch

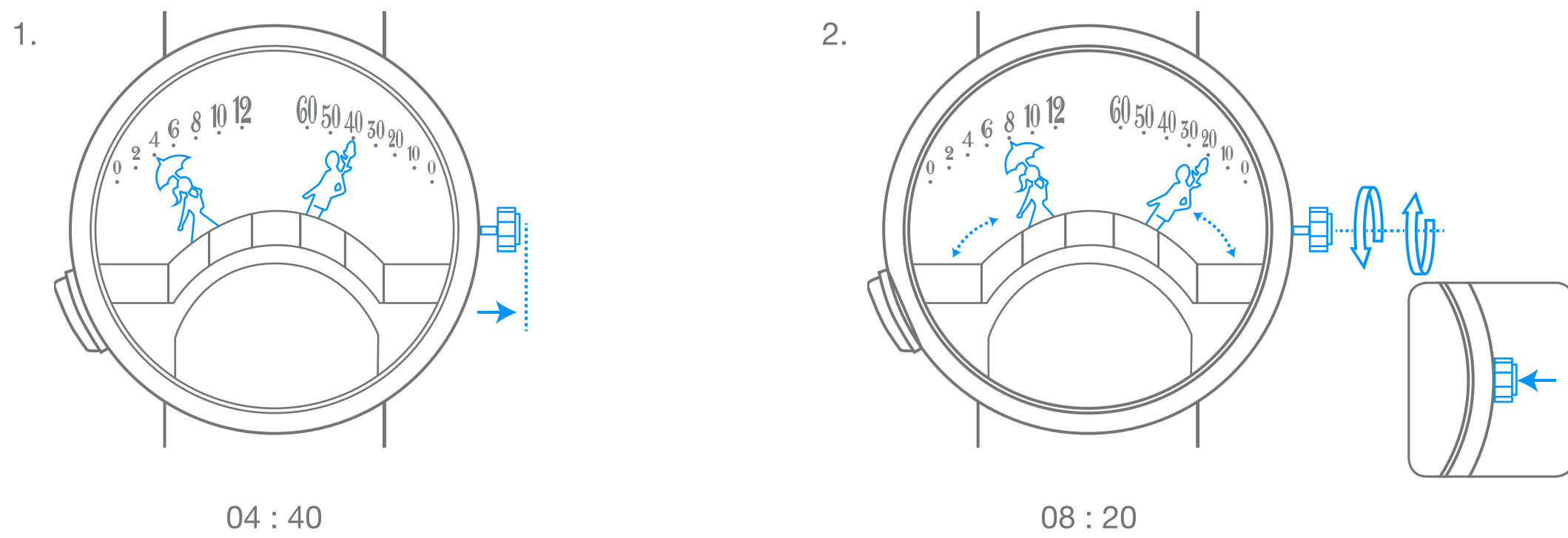


36H
AUTONOMY

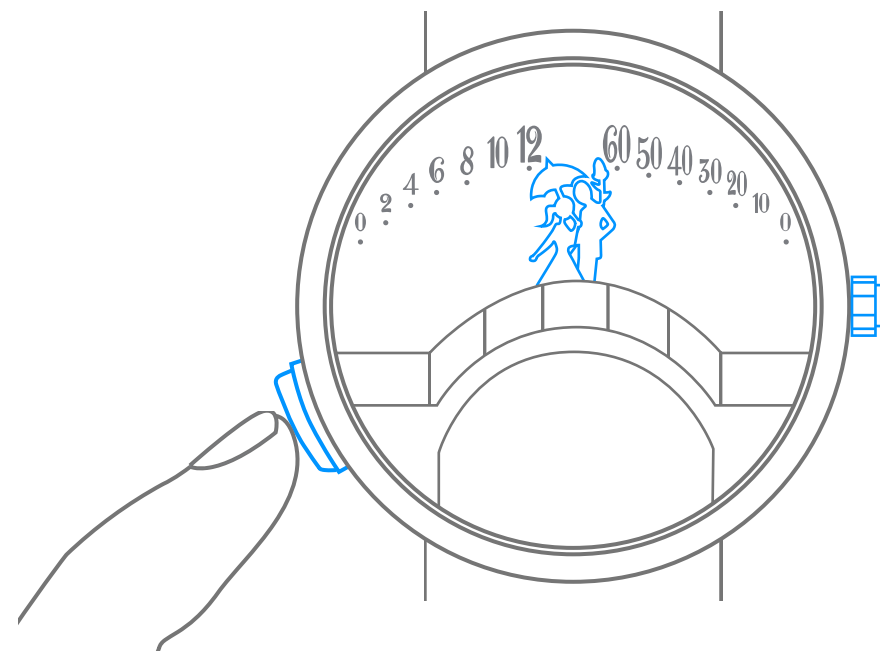
Van Cleef & Arpels

Self-winding double retrograde, animation on demand mechanical movement

3. Set the time



4. Launch the kissing animation



Van Cleef & Arpels

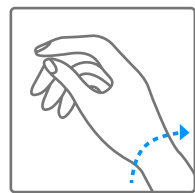
Pictograms

00h
AUTONOMY

Your watch's power reserve



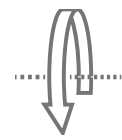
Important note: wait 30 seconds after winding the watch before setting the time



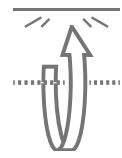
Self-winding through your wrist movement



Turning clockwise



Turning counter-clockwise



Turning clockwise until you meet resistance



Turning counter-clockwise until you meet resistance



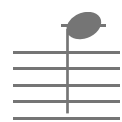
LOCAL TIME

Local time



2nd TIME ZONE

Time in selected country



High-pitched sound



Low-pitched sound